

RED DASHED LINE INDICATES DO NOT DIG AREA.

ELIZABETHTON ELECTRIC CONNECTION 3 1/2" SCHEDULE 40 PVC.

12" MIN.

SECONDARY PEDESTAL TO BE INSTALLED BY ELIZABETHTON ELECTRIC DEPARTMENT

ELECTRIC DEPARTMENT SIDE CUSTOMER SIDE

CONDUIT FROM PEDESTAL WILL BE PLACED TO 12" OUTSIDE OF PEDESTAL FOR CUSTOMER CONNECTION.

LOCATOR PINS TO BE PLACED VISIBLE ABOVE GROUND FOR THE LOCATING OF BURIED CONDUIT END.

TRENCH 12" WIDE BY 24" DEEP MIN. BY CUSTOMER.

TOP VIEW

NOTES:

1. SECONDARY PEDESTAL TO BE SET BY ELIZABETHTON ELECTRIC DEPARTMENT.
2. FINAL CONNECTIONS TO BE MADE INSIDE PEDESTAL BY ELIZABETHTON ELECTRIC DEPARTMENT.
3. ALL ELECTRICAL CONNECTIONS IN PEDESTAL BASE WILL BE BY ELIZABETHTON ELECTRIC DEPARTMENT.
4. TRENCH SHALL BE:
36" DEEP IN 2 1/2" SCHEDULE 80 PVC CONDUIT. UNLESS UNDER DRIVING SURFACE THEN 2 1/2" RIGID METAL CONDUIT OR SCHEDULE 80 PVC CONDUIT ENCASED IN 4" OF CONCRETE AROUND THE OUTER SURFACE OF CONDUIT.
NOTE: IF OTHER UTILITIES IN SAME TRENCH THERE MUST BE 12" SEPARATION BETWEEN THEM.
WATER LINES CAN NOT BE IN SAME DITCH. 24" SEPARATION REQUIRED.

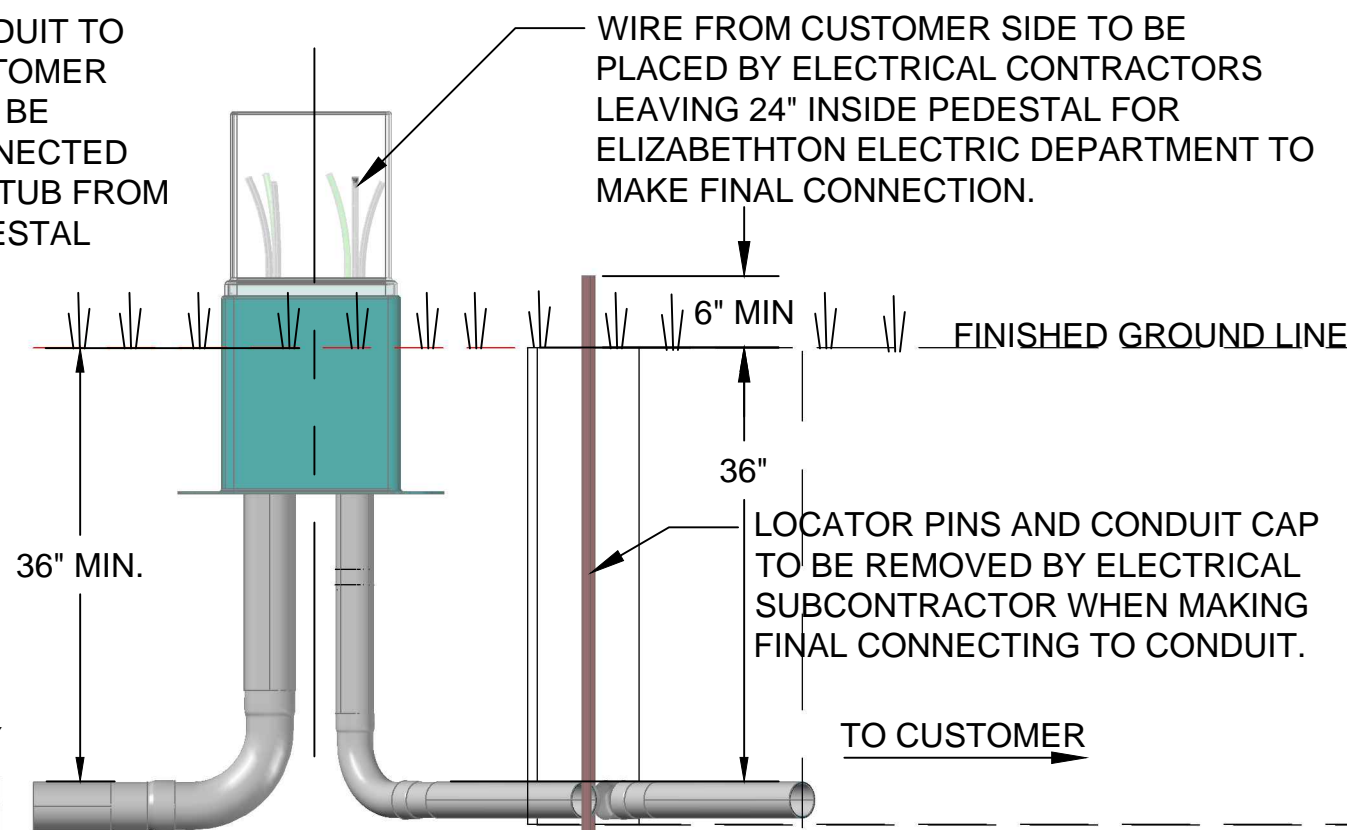
CONDUIT TO CUSTOMER WILL BE CONNECTED TO STUB FROM PEDESTAL

ISOMETRIC VIEW

LOCATOR PINS 3/8" X 48"

CONDUIT TO CUSTOMER WILL BE CONNECTED TO STUB FROM PEDESTAL

WIRE FROM CUSTOMER SIDE TO BE PLACED BY ELECTRICAL CONTRACTORS LEAVING 24" INSIDE PEDESTAL FOR ELIZABETHTON ELECTRIC DEPARTMENT TO MAKE FINAL CONNECTION.



TO EED SUPPLY

TO CUSTOMER

ELECTRIC DEPARTMENT SIDE **SIDE VIEW** CUSTOMER SIDE

M8-11

PAGE 11 OF 11 DRAWINGS

COMPANY: ELIZABETHTON ELECTRIC DEPARTMENT
DETAIL NAME: JUNCTION BOX FOR MULTIPLE UNDERGROUND SERVICES

PURPOSE: ASSEMBLY DETAILS SCALE: 1/4" = 1'-0"

CHECKED BY: J.E.S. DATE: 07/01/2010