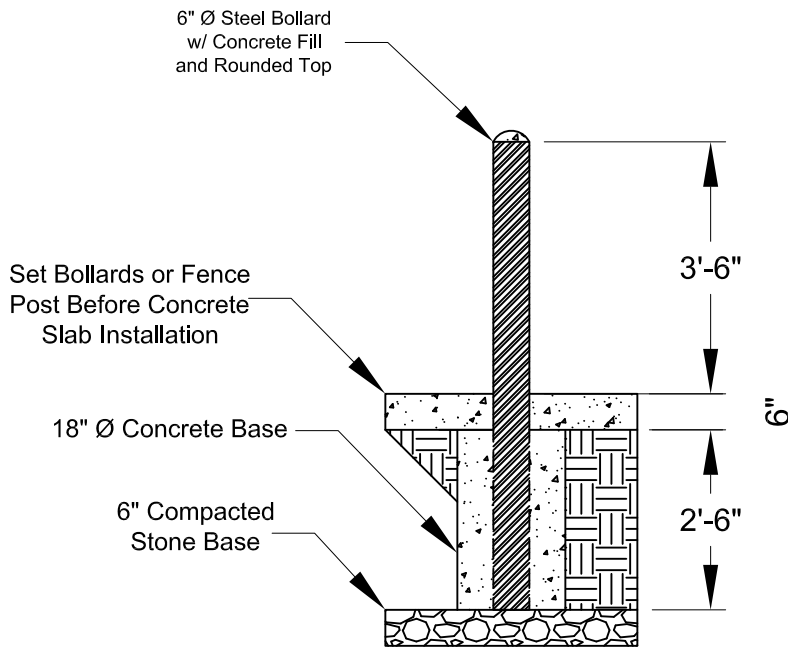
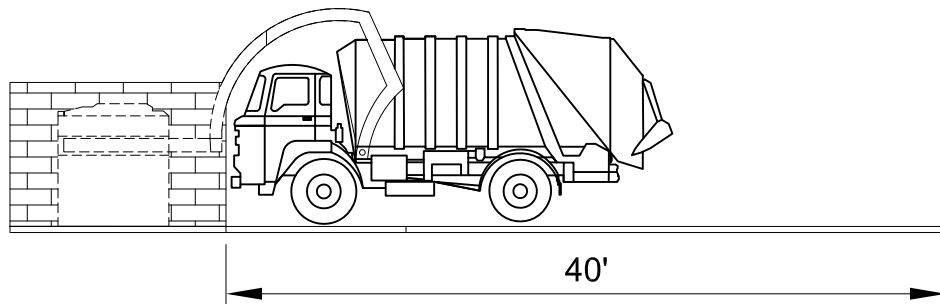


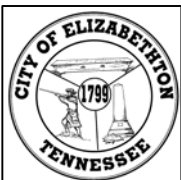
1  
3  
Typical Section of Dumpster Pad  
NTS



2  
3  
Typical Bollard/Fence Post Base  
 $\frac{3}{8}'' = 1'$



3  
3  
Dumpster Pad Approach  
NTS



City of Elizabethton  
Engineering Department  
Single Dumpster Pad

	Date	File No.
Designed	Matt J. Balogh 10/19/12	*dump_pad.DWG
Drawn	Matt J. Balogh 10/19/12	Drawing No.
Checked	J. Coetzee 10/19/12	Job Class
Approved		Sheet 3 of 3