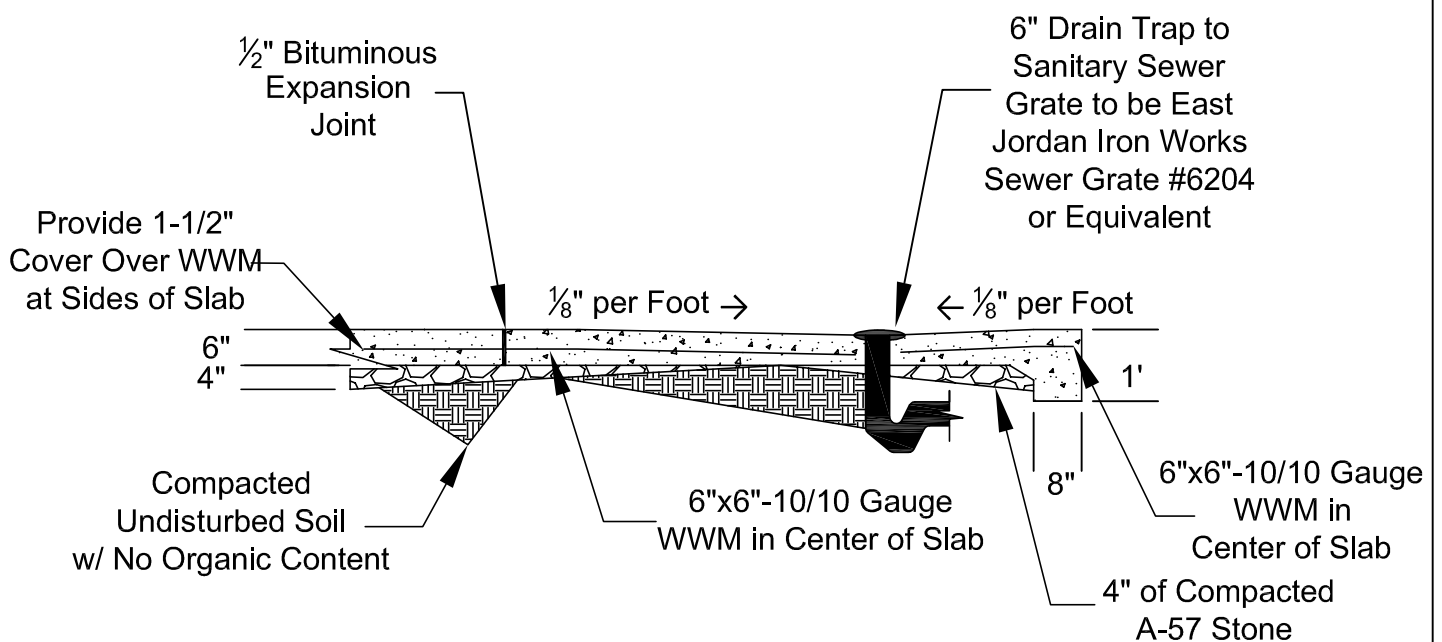


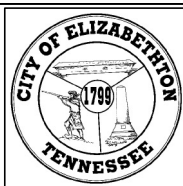
Notes:

1. The surrounding area must be sloped away from the dumpster pad. Intrusion of rainwater from surrounding areas is a contravention of city and state regulations.
2. A 1' minimum turn down slab is required where the dumpster pad abuts unpaved areas.
3. The owner is advised to have a Professional Engineer verify that this generic design is suitable for the existing ground conditions, as well as the anticipated wheel loads.

①
①
Single Enclosure Dumpster Pad
 $\frac{3}{8}" = 1'$



②
①
Typical Section of Dumpster Pad
 $\frac{3}{8}" = 1'$



City of Elizabethton
Engineering Department
Typical Dumpster Pad

	Date	File No.
Designed	Matt J. Balogh 01/20/11	*dump_pad.DWG
Drawn	Matt J. Balogh 01/20/11	Drawing No.
Checked	J. Coetzee 01/21/11	Job Class
Approved		Sheet 1 of 1